

LED 4009

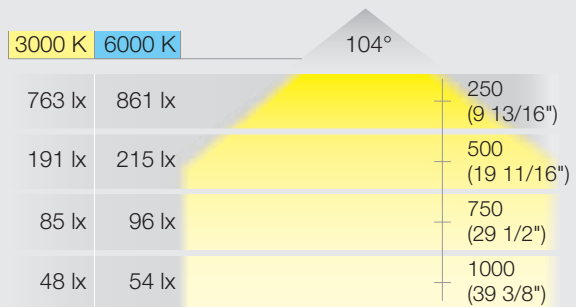
RECESS/SURFACE MOUNTED LIGHT



350-mA SYSTEM

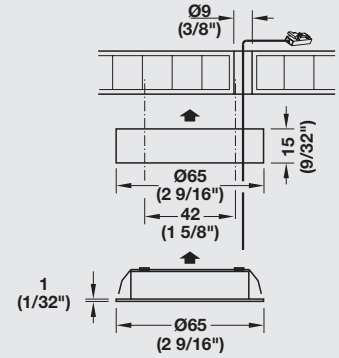
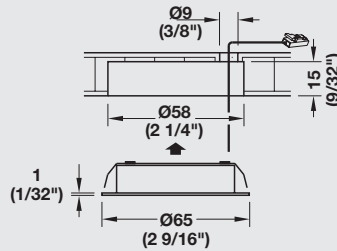


- > Generates powerful, direct light
- > Multi-functional for use in a variety of furnishings
- > Three different attachment options are available
- > Recommended as a replacement for Halogen puck lights



Item No.	833.78.151	833.78.140	833.78.154	833.78.142
SRP	\$25.00	\$25.00	\$25.00	\$25.00
Light Color (K)	6000 (daylight)	3000 (warm white)	6000 (daylight)	3000 (warm white)
Drill hole	Ø58 mm (2 1/4")			
Ø x H	65 x 15 mm (2 9/16" x 5/8")			
Wattage	3.85			
LEDs	3			
Lumen	176	160	176	160
Lumen per watt	46	42	46	42
CRI	82			
Energy Efficiency class	A			
Weighted energy consumption	3.30			
Material	Aluminum with clear glass			
Finish	nickel matt		black	
Supplied with	2 m (78 3/4") lead			

LED 4009



> Dimmable



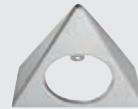
> Driver see page 99
> Drill bit see page 146



Surface mounted ring, round
Steel
nickel matt

> Item No. 833.77.710 **SRP \$4.00**
black

> Item No. 833.77.712 **SRP \$4.00**



Surface mounted ring, triangular
L x W x H: 121 x 125 x 44 mm
(4 3/4" x 4 15/16" x 1 3/4")

Steel
nickel matt

> Item No. 833.80.711 **SRP \$4.00**
black

> Item No. 833.80.713 **SRP \$4.00**



LOOX LED DRIVER

CONSTANT VOLTAGE 350 mA DRIVER



350-mA SYSTEM

Item No.: 833.80.900
 $\otimes_1 + \otimes_2 + \dots + \otimes_n = 1-4 \text{ W}$

Item No.: 833.80.901
 $\otimes_1 + \otimes_2 + \dots + \otimes_n = 5-10 \text{ W}$

- > Suitable for all of the world's power systems
- > With an integrated port for a wide selection of switches

- ! > Degree of protection : IP20
- > LoOX drivers cannot be controlled by a dimmer wall switch
- ➔ > Switches see pages 113 - 116
- > Extension leads see page 127

⊕ Power cord with 90° plug
 2 m (78 3/4")
 > Item No. 833.89.017 **SRP \$5.00**

90° Plug adapter
 > Item No. 833.89.018 **SRP \$7.00**

Replacement jumper cable
 > Item No. 833.80.720 **SRP \$0.50**

Item No.	833.80.900	833.80.901
SRP	\$30.00	\$50.00
L x W x H	140 x 43 x 20 (5 1/2" x 1 11/16" x 13/16")	195 x 43 x 28 (7 11/16" x 1 11/16" x 1 1/8")
Wattage	1 - 4	5 - 10
Input voltage	100-240 V; 50-60 Hz	
Output current	350 mA	
Number of slots	4	10
Material/Finish	Plastic, black	
Supplied with	Mounting accessories, US power cord	

Country-specific 2 m (78 3/4") primary leads								3 m (118")
Item No.	833.89.000	833.89.001	833.89.002	833.89.003	833.89.016	833.89.005	833.89.050	833.89.008
SRP	\$10.00	\$4.00	\$4.00	\$4.00	\$4.00	\$4.00	\$4.00	\$6.00
Plug design								
Designation	UK	AU	EU	US	JP	CN	US	US
Voltage (V)	250	250	250	120	100	250	120	120